

Vertically fixed Dualbord extruded aluminium cladding installed by Flashclad Nationwide Distributor Network

NOTE:

Dualbord Vertical can be fixed to dwang lines at **600mm or 800mm** centres.
Type 17 stainless steel 65mm roofing screws.

Apron flashing as per raking apron detail

Selected roofing

Flashclad extruded aluminium vertical starter

Roofing underlay continued out into gutter

Building wrap or Rigid Air Barrier installed as per manufacturers specification

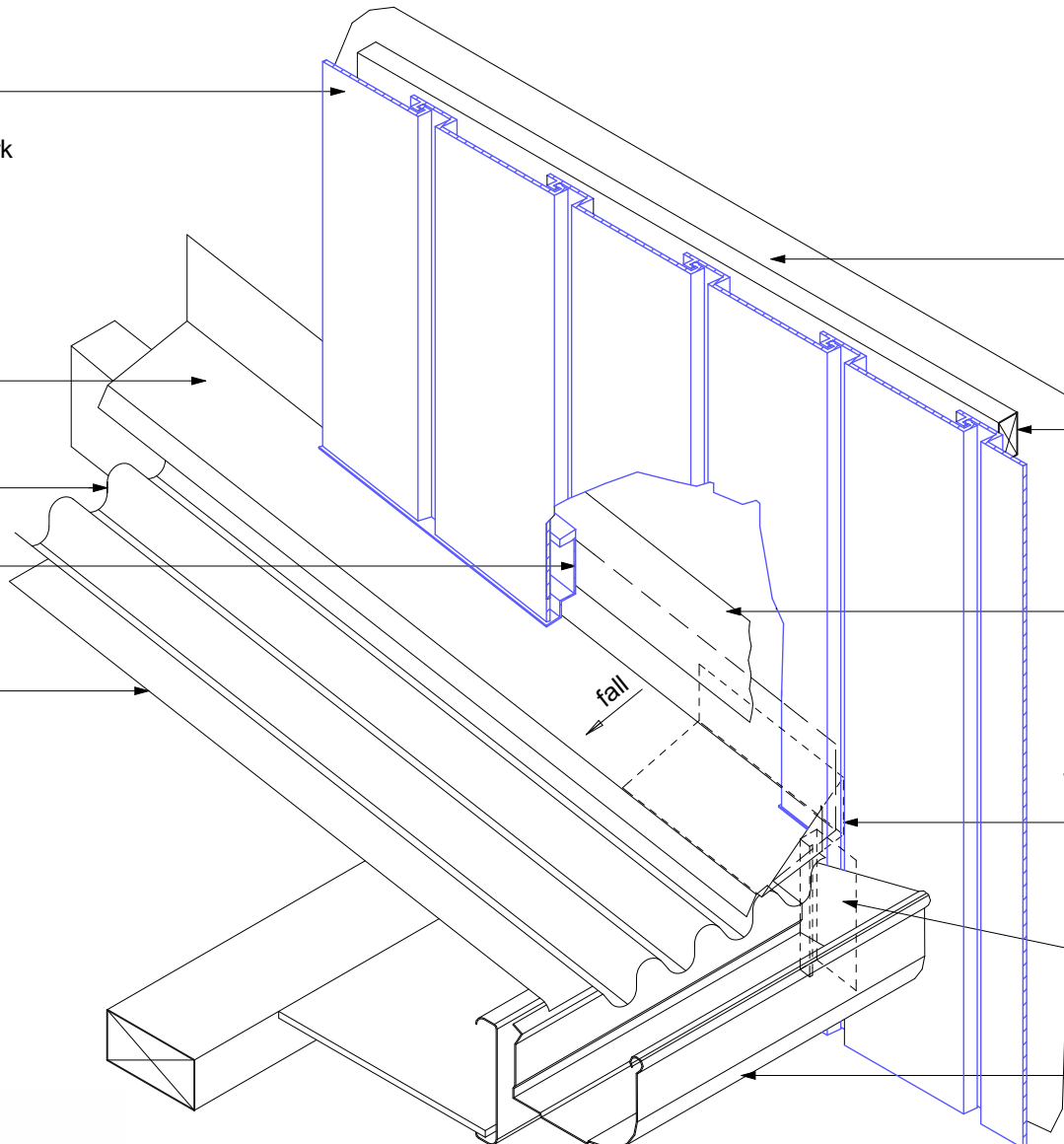
20mm H3.1 horizontal cavity battens at maximum 800crs with 15 deg slope to top edge and separation layer over

Flashing tape or extra layer of building wrap over flashing

Apron Diverter installed over building wrap and behind Apron Flashing

Cover Mould (transition tray) to be installed as per E2/AS1

Selected fascia system to finish flush with front of cavity battens. Selected external gutter to finish 20mm clear of cladding.



Flashclad
CLADDING FOR LIFE

GUTTER TO WALL JUNCTION

Not to Scale

Revision - 01 October 2019

Dualbord
VERTICAL