

Bevelbord extruded aluminium cladding installed by Flashclad Nationwide Distributor Network

NOTE:
Fixing into studs at maximum 600mm centres

Apron flashing as per raking apron detail

Selected roofing

Flashclad extruded aluminium Cover mould

Roofing underlay continued out into gutter

Building wrap or Rigid Air Barrier installed as per manufacturers specification

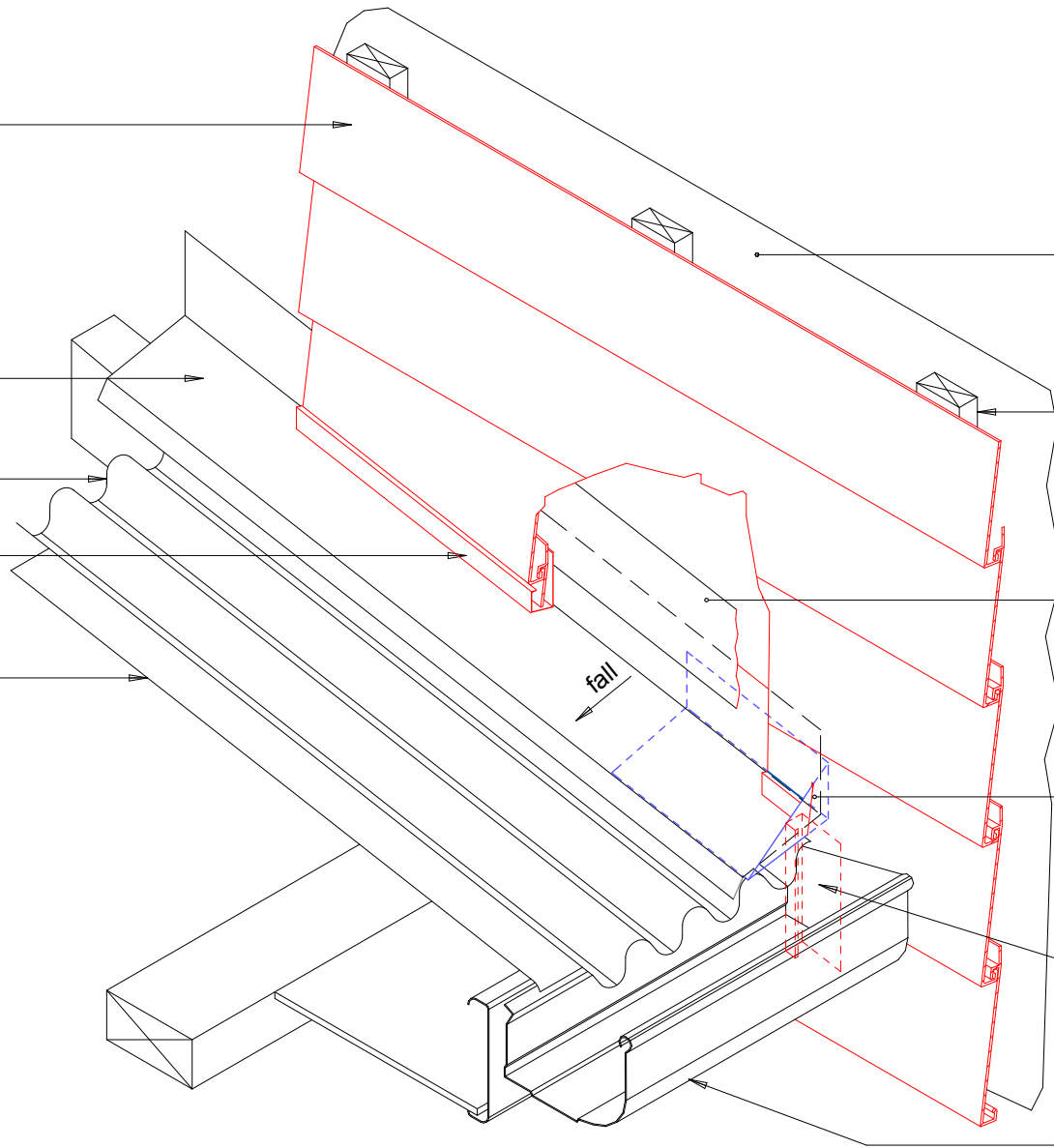
20mm H3.1 vertical cavity batten with separation layer over

Flashing tape or extra layer of building wrap over flashing

Flashclad Apron Diverter installed over building wrap and behind Apron Flashing

Cover Mould (transition tray) to be installed as per E2/AS1

Selected fascia system to finish flush with front of cavity battens. Selected external gutter to finish 20mm clear of cladding.



Flashclad
CLADDING FOR LIFE

GUTTER TO WALL JUNCTION
Not to Scale

Revision - 01 December 2015

Bevelbord